

# 产品选型手册

Product selection guide



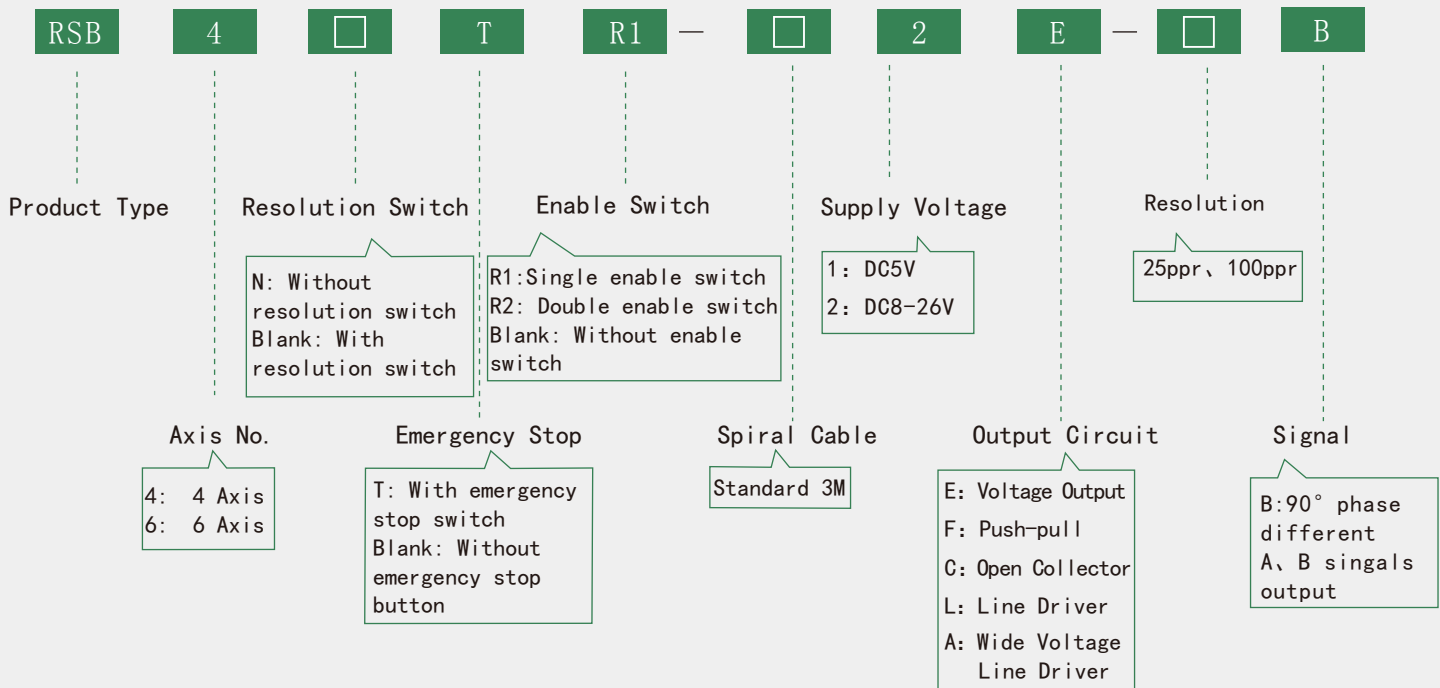
RSB Series

# Applications & Features



All-plastic housing, anti-oil, sealed.  
 With axis selection switch and resolution switch.  
 Emergency stop switch and reset switch optional.  
 Housing with hook and magnet.  
 Used for CNC machine tools and printing machinery.

## Part Number



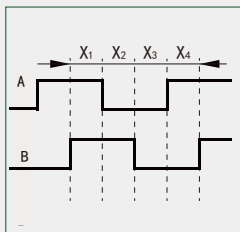
## Electrical Specifications

Output Circuit	Supply Voltage DC (V)	Current Requirement (mA)	Output Voltage (V)		Rise Time (ns)	Fall Time (ns)	Frequency Response (kHz)
			V <sub>H</sub>	V <sub>L</sub>			
E (Voltage)	5±0.25	≤60	≥3.5	≤0.5	≤500	≤100	0~100
	8~26		≥V <sub>CC</sub> -2.5	≤0.5	≤1500	≤300	
C (Open Collector)	5±0.25	≤60	/	/	/	/	0~100
	8~26		/	/	/	/	
L (Line driver)	5±0.25	≤100	≥2.5	≤0.5	≤200	≤200	0~100
A (Wide Voltage Line Driver)	8~26	≤80	≥V <sub>CC</sub> -2.5	≤0.8	≤800	≤200	0~100
F (Push Pull)	5±0.25	≤60	≥3.5	≤0.8	≤300	≤200	0~100
	8~26		≥V <sub>CC</sub> -2.5	≤1.0	≤500	≤200	

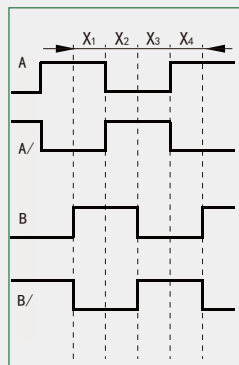
# Output Circuit

E (Voltage)		F (Push-pull)		C (Open Collector)	L, A (Line Driver)
5V	8-26V	5V	8-26V		

# Output Waveform



Waveform for C, E, F output



Waveform for L, A output

- Wave Ratio :  $X1+X2=0.5T \pm 0.1T$   
 $X2+X3=0.5T \pm 0.1T$
- Phase Different :  $Xn \geq 0.125T$  ( $n=1, 2, 3, 4$ )
- Absolute Angle Error:  $\leq 0.2T$
- Cycle Error :  $\leq 0.05T$
- $T=360^\circ / N$  ( $N$ =lines count per revolution)

# MPG Function

Axis No.							Resolution Switch			Start (Recover)	Display (LED)		Emergency Stop			
OFF	X	Y	Z	4	5	6	X1	X10	X100	COM	DC 24V	OVLED	NC1	NC2	NC1	NC2

# Environmental Specifications

Max. Speed	600r/min
Operating Temp.	-10~+60°C
Store Temp.	-20~+70°C
Size	189*84*66mm
Weight	Approx. 0.66kg

# Connection

## 17 Pins Cable Wire, 4 Axis

Cable Color	DBU	LBU	RD/BK	BU/BK	RD	BK	YL	WH	CR	GY	CR/BK	GN	OG	BN	PK	PL
L	4	COM	+L	-L	VCC	OV	A	B	X1	X10	X100	X	Y	Z	A/	B/
E	4	COM	+L	-L	VCC	OV	A	B	X1	X10	X100	X	Y	Z	/	/

## 21 Pins Cable Wire, 4 Axis with Emergency Stop Button

Cable Color	GY	GY/BK	WH/BK	LBU	GN	BN	BN/BK	OG	RD/BK	BU/BK	RD	BK	YL	WH	YL/BK	OG/BK	GN/BK	PL/BK	PK	PL
L	X1	X10	X100	COM	X	Z	4	Y	+L	-L	VCC	OV	A	B	K1	K2	K3	K4	A/	B/
E	X1	X10	X100	COM	X	Z	4	Y	+L	-L	VCC	OV	A	B	K1	K2	K3	K4	/	/

## 17 Pins Cable Wire, 6 Axis, Voltage Output

Cable Color	DBU	LBU	RD/BK	BU/BK	RD	BK	YL	WH	CR	GN/BK	CR/BK	GN	OG	BN	PK	PL
E	4	COM	+L	-L	VCC	OV	A	B	X1	X10	X100	X	Y	Z	5	6

## 21 Pins Cable Wire, 6 Axis, Line Driver Output

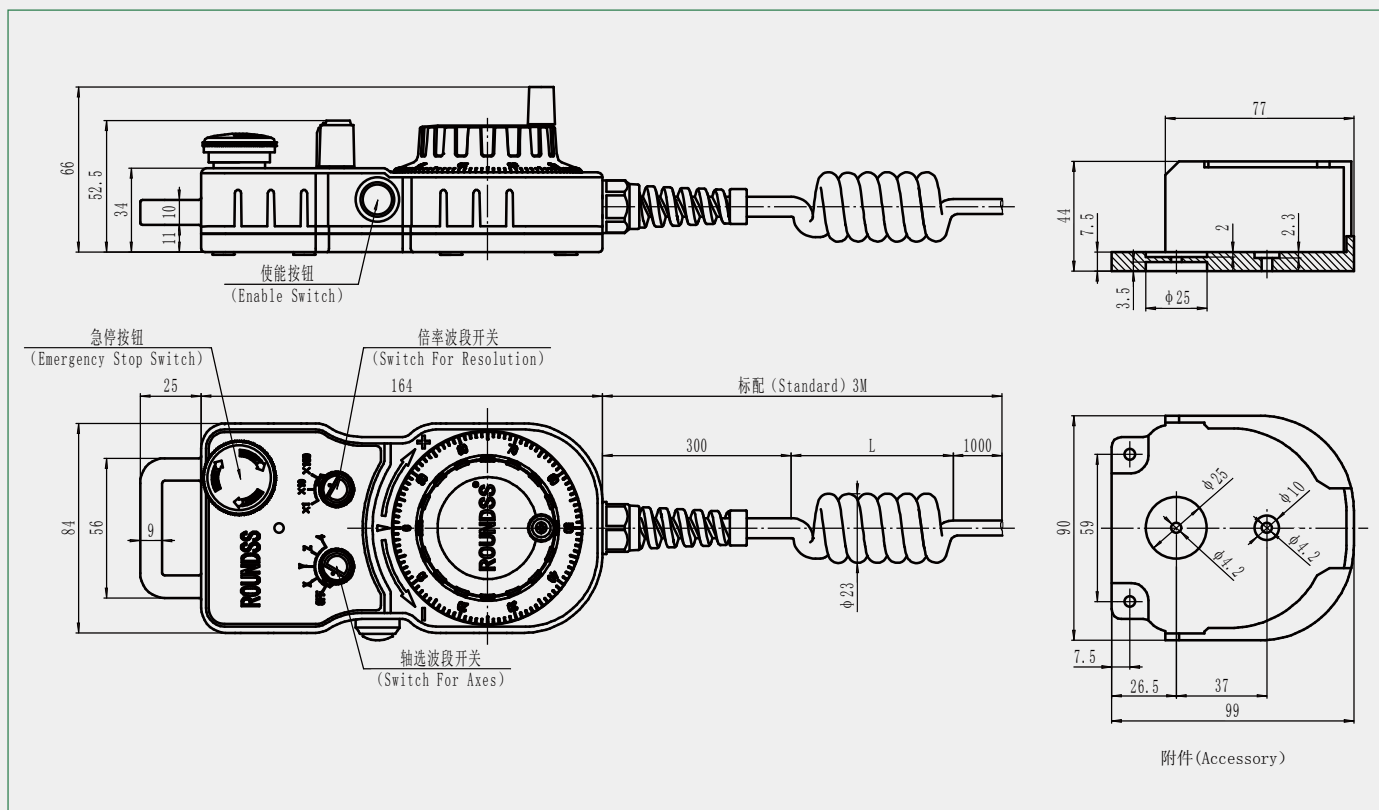
Cable Color	GY	GY/BK	WH/BK	LBU	GN	BN	BN/BK	OG	RD/BK	BU/BK	RD	BK	YL	WH	YL/BK	OG/BK	PK	PL
L	X1	X10	X100	COM	X	Z	4	Y	+L	-L	VCC	OV	A	B	5	6	A/	B/

## 21 Pins Cable Wire, 6 Axis with Emergency Stop Button, Voltage Output

Cable Color	GY	GY/BK	WH/BK	LBU	GN	BN	BN/BK	OG	RD/BK	BU/BK	RD	BK	YL	WH	YL/BK	OG/BK	GN/BK	PL/BK	PK	PL
E	X1	X10	X100	COM	X	Z	4	Y	+L	-L	VCC	OV	A	B	K1	K2	K3	K4	5	6

## 24 Pins Cable Wire, 6 Axis with Emergency Stop Button, Line Driver Output

Cable Color	CR	CR/WH	WH/BK	LBU	WH/RD	WH/BU	GN	OG	BN	DBU	GY	WH/GY	YL	WH	BK	RD	WH/YL	WH/OG	WH/GN	WH/PL	PK	PL
L	X1	X10	X100	COM	+L	-L	X	Y	Z	4	5	6	A	B	OV	Vcc	K1	K2	K3	K4	A/	B/



China Rongde Optics Co., Ltd

[www.roundssencoder.com](http://www.roundssencoder.com)

