

Encoder Digital Display

DRO

DRO Display is one for rotating grating angle display of digital processing system. Connecting with the absolute optical encoder, can accurately display angle of rotary encoder.

Our DRO are able to display the rotation angle 0° - 360° , frequency of up to 1MHz, with function of zero clearing, easy to use.



Display Model Definition as follow:

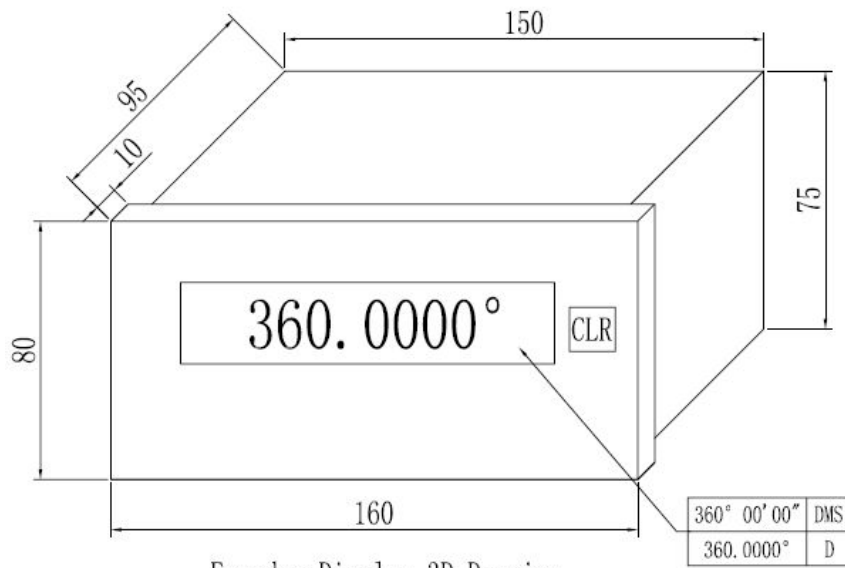
RD ---Resolution in bits- Interface—Baud Rate—Code—Angle—Zero Clearing

For example: RD-20-TABDY

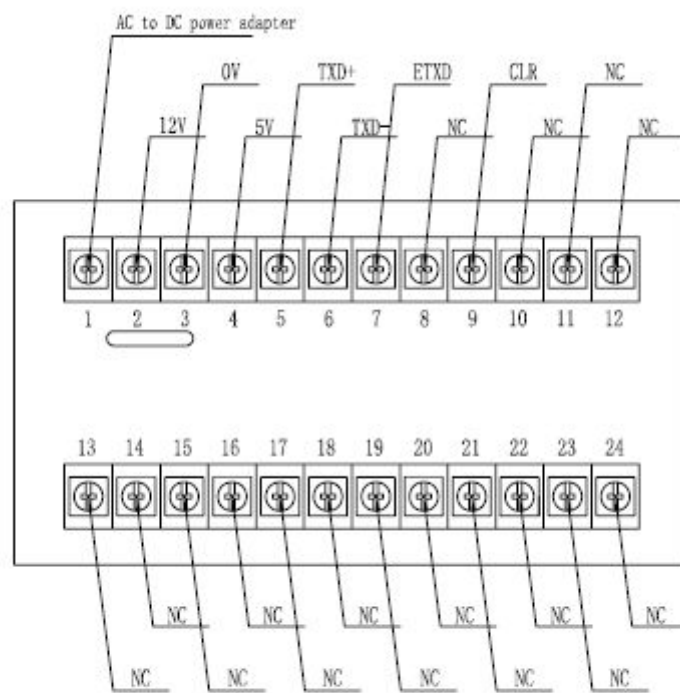
Resolution	8bit—24bit		Note
Interface	T,RS422/RS485 E,RS232 B,Parallel		Suggest to use RS485 interface
Baud Rate	A,115200 B,57600 C,56000 D,43000	E,38400 F,19200 G,9600 H,4800	
Code	B:Binary Code G:Gray Code		
Display	D,360.0000° DMS,360°00'00"		
Zero Clearing (CLR)	Y,Zero Clearing N,No Zero Clearing		

Note: Baud rate and display can be customized

■ Mechanical Drawing



Encoder Display 3D Drawing



Connection of Encoder Display

■ Note & Service

This product is a precision instrument with precise structure, has been rigorously debugging before leaving the factory, please handle it gently.

Do not disassemble by yourself.

If the display has any problem within 1 year after receiving, company will repair or exchange it for free.