

## RD2-AS Series

### Single Diaphragm Clamp Type

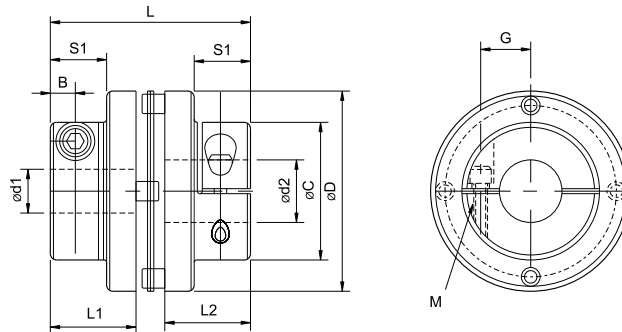


#### Parameters

Model	Rated Torque (N·m)	Max Torque (N·m)	Max Rotational Speed (min <sup>-1</sup> )	Static Torsional Stiffness (N·m/rad)	Parallel Stiffness (N/mm)	Moment of Inertia (kg·m <sup>2</sup> )	Parallel Misalignment (mm)	Angular Misalignment (°)	Axial Misalignment (mm)	Weight (g)
RD2-34AS	2.8	4	18000	2500	64	4.00×10 <sup>-6</sup>	0.02	1	±0.20	33
RD2-39AS	4.0	6	16000	4600	112	0.12×10 <sup>-4</sup>	0.02	1	±0.25	56
RD2-44AS	8.7	10	14000	6000	80	1.64×10 <sup>-5</sup>	0.02	1	±0.30	76
RD2-56AS	20	25	11000	14000	48	5.49×10 <sup>-5</sup>	0.02	1	±0.40	156
RD2-68AS	55	60	9000	25000	76.4	1.44×10 <sup>-4</sup>	0.02	1	±0.45	279
RD2-82AS	80	100	7000	42000	128	5.65×10 <sup>-4</sup>	0.02	1	±0.55	420

\*

#### Dimensions



Unit (mm)

Model	d1 · d2		D	L1 · L2	L	C	S1	B	G	M	Tightening Torque (N·m)
	Min	Max									
RD2-34AS	5	10	34	12.4	27.3	21.6	9	3.75	8.0	M3	1.5
RD2-39AS	7	13	39	15.5	34.0	25.6	12	4.5	10.0	M4	3.4
RD2-44AS	8	15	44	15.5	34.0	29.6	12	4.5	11.0	M4	3.4
RD2-56AS	10	20	56	20.5	43.4	38.0	15	6.0	14.5	M5	7.0
RD2-68AS	12	25	68	25.2	53.6	46.0	18	7.75	17.5	M6	14
RD2-82AS	20	30	82	30.0	68.0	56.0	23	9.0	21.5	M8	30

#### Standard Bore Diameter

Model	Standard Bore Diameter d1.d2(mm)													
	5	6	7	8	10	11	12	13	14	15	18	20	25	30
RD2-34AS	●	●	●	●	●									
RD2-39AS			●	●	●	●	●	●						
RD2-44AS				●	●	●	●	●	●					
RD2-56AS					●	●	●	●	●	●				
RD2-68AS							●	●	●	●	●	●	●	
RD2-82AS												●	●	●

#### Ordering Information

**RD2 - 34AS - 8 - 10 - L(27.3)**  
 OD ———— Type ———— Single Diaphragm ———— Bore Diameter: d1-d2 ———— Length